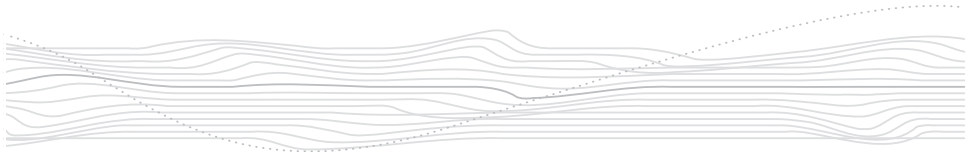
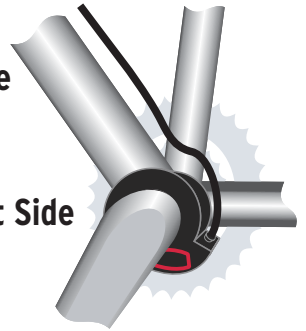




24 Pole Mini PAS Sensor

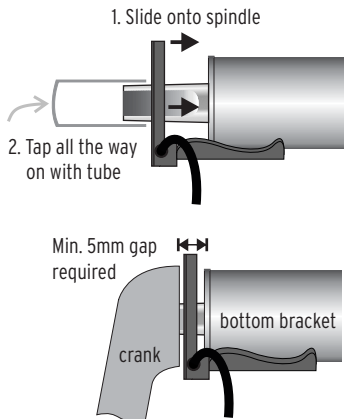
for Ebikes with CA3

- Add Automatic Pedal Assist to your Ebike
- Clean and Compact Single Piece Sensor
- 24 Poles for Lightning Quick Response
- Quadrature Signals, Installs Left or Right Side
- Fits Square Taper Bottom Brackets with at least 5mm of Exposed Spindle





Part #: PAS_24P

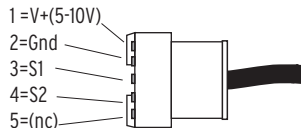


Installation

- Remove crankset with crank removal tool.
- Slide the Mini PAS Sensor into the spindle.
- If necessary, use the included tube to gently tap the magnet ring all the way onto the spindle.
- Optional bottom bracket cable guide can be used for routing shifter and brake lines if desired.
- Run the cable up to your Cycle Analyst V3 and plug in the 5-Pin PAS connector. Enable settings for 2 wire sensor type and 24 PAS Poles.

Specifications

Cable Length	<input type="checkbox"/> 90 cm	<input type="checkbox"/> 120cm
Connector	5-Pin Male JST SM	
Signal Type	Quadrature, 24 Pulses / Revolution	



For more information, visit www.ebikes.ca



Advancing the world of
ebike parts and accessories

www.ebikes.ca